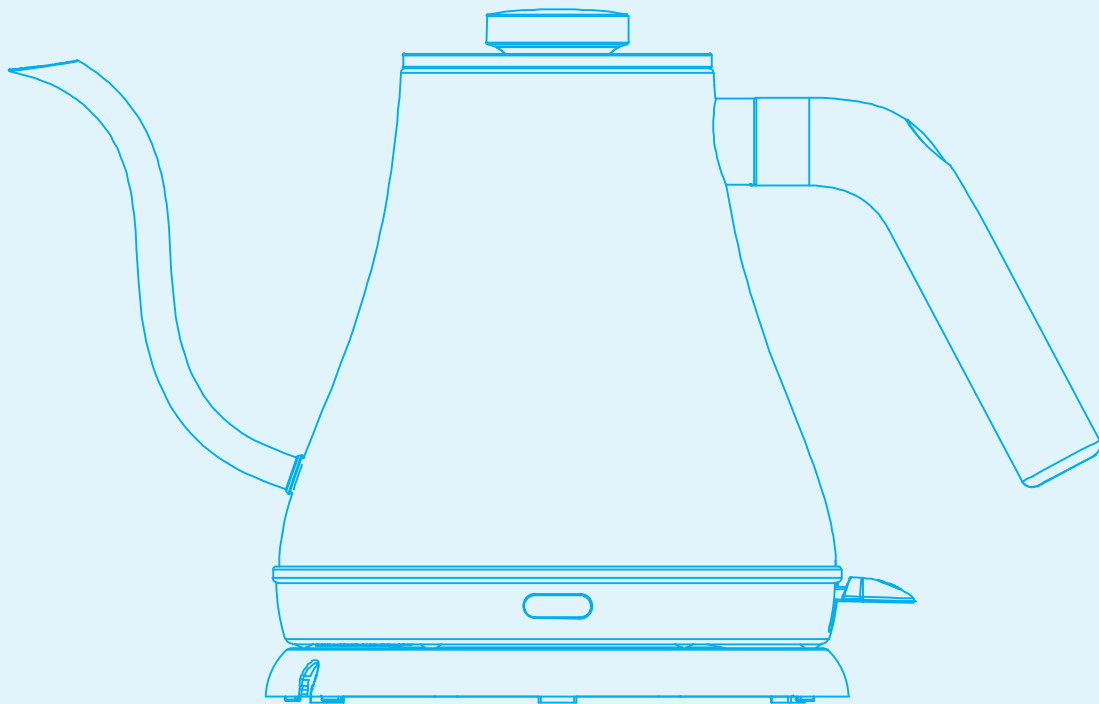




快速電水壺 Electric Kettle



EK137

使用說明書

INSTRUCTION MANUAL

- * 使用本產品前，請先細閱使用說明書，並請妥善保存以便將來翻閱。
- ** 本說明書可於本公司網站下載 www.origo.hk。
- * Read all instructions carefully before using the appliance, and keep this instruction for future reference when necessary.
- ** This instruction manual can be acquired at www.origo.hk.

- 本機不是為體質、感覺或智力有障礙人士包括小孩或缺乏經驗及知識者使用，除非他們曾經接受負責安全人士的監督或指示。大人應指導小孩不可把玩電器。

This appliance is not intended for use by persons (including children) with reduced physical, sensory or mental capabilities, or lack of experience and knowledge, unless they have been given supervision or instruction concerning use of the appliance by a person responsible for their safety. Children should be supervised to ensure that they do not play with the appliance.

- 本產品是家用或在類似環境使用，例如：商店內部、辦事處以及其他類似工作環境的廚房區域、農舍、客戶在旅館、汽車旅館和其他住宅類型的環境。

This appliance is intended to be used in household and similar applications such as: staff kitchen areas in shops, office and other working environments; farmhouses; by clients in hotels; motels and other residential type environments; bed and breakfast type environments.

- 本機不能用於附加外置的時計或控制器。

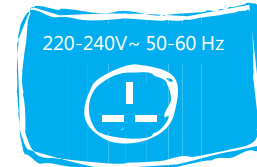
Appliances are not intended to be operated by means of an external timer or separate remote-control system.

- 使用時確保本品放置於安全、平穩的表面上。

Ensure the appliance is placed on a stable, secure surface to eliminate the possibility of tipping over or avoid any water in the set.

- 使用本產品前，請確定規格標貼上所示的額定電壓與當地供電電壓相同。如有疑問可向供應商查詢。

Before using the appliance, check if the voltage marked on the rating label corresponds to the mains at your home.



- 電源線或保險線損壞時，不應自行更換。應到指定維修中心更換相同或更高規格的電源線或更換保險線。

To prevent the risk of electric shock, DO NOT USE the set with broken power supply wires, broken fuse or broken plug. All repair works must be made by a professional (authorized distributor). NEVER TRY TO REPAIR the cable or plug by yourself. Please take the damaged set to your local authorized maintenance center.

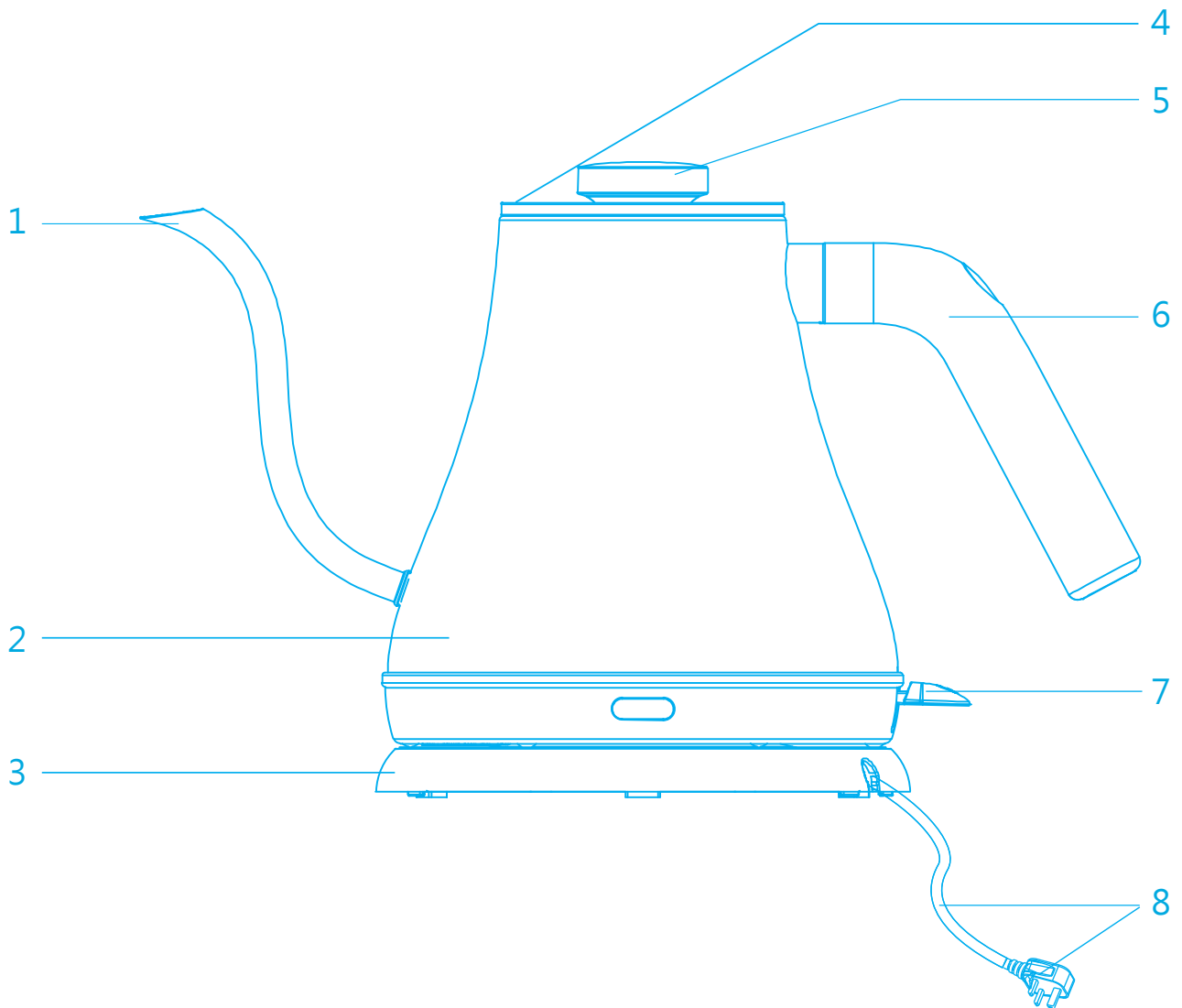
- 本產品不應使用延長線與標稱小於13A的插座，必須使用與原裝同規格之電線。

Use of an extension cord is not recommended as it may overheat and cause risk of fire. Must use the same specification power cord with the original power cord.

- 打開包裝，檢查產品。如發現產品有損壞，請勿使用及即時聯絡供應商。

Open the package and ensure that the appliance is undamaged. In case of doubt do not use the appliance and contact your supplier.

- 防止電插座負荷過重或損害保險線，高耗電量之電器不能同時接駁到同一電插座或同一線路。
To prevent overloading and blowing fuses, ensure that no other high power appliance is plugged into the same socket, or another socket which is connected in the same circuit.
- 切勿於水源或易燃物品附近使用。
DO NOT OPERATE this appliance near water sources or flammable liquids.
- 使用時，切勿把本產品放置於火爐或發熱的物體附近。
This appliance cannot be used beside the stove and other high temperature objects.
- 電源線切勿靠近火源、高溫或隱藏在地毯之下，亦不可靠近水源。
DO NOT PUT the cord under the carpet, blankets. Always keep the power cable away from the walk way in room.
- 不可在潮濕或有積水的環境使用，不可將本機放於浴缸或大型容器上面。
The appliance is not intended for use in wet or damp locations. Never locate the appliance where it may fall into a bathtub or other water container.
- 切勿於高溫表面上或附近使用本產品。
DO NOT OPERATE this appliance on or near any hot surface.
- 為防止損害電源線，請勿把電源線掛放在檯邊上或接觸發熱的物體。
Do not hang the power cord on the edge of table or touch the surface with high temperature in order to avoid damage to the power cord.
- 注水時不可超過"MAX 0.8L"刻度的位置。如發現本產品正在乾燒，請立即拔除電源線並讓本產品冷卻五分鐘後才可使用。
The water should be filled do not exceed "MAX 0.8L" level. When the Kettle is dry boiling, unplug immediately and then cooling the Kettle for 5 minutes.
- 沸水後，切勿接觸溢出的蒸汽或立即揭開壺蓋，並確保壺蓋在正確位置上，避免蒸汽溢出，導致受傷。
Do not immerse the product into water or other liquid as to avoid accident.
- 本產品並非玩具，請把本產品放置在兒童不能觸及的地方，以免孩童拉扯電源線或推翻本產品，發生意外。
Extreme caution is necessary when the Kettle is used by or near children or invalids and whenever the Kettle is left operating unattended.
- 當電水壺載滿沸水時，請小心移動，以危發生意外。
Pay attention when moving the Kettle with full boiling water.
- 在本產品冷卻前，切勿接觸其發熱表面。
Never try to touch the hot surface of this appliance before it is cool down.
- 本產品使用時間較長後，表面顏色有所變化，這是正常現象。
If this appliance is using very long time, the surface of appliance will become fade, this situation also happens properly.



- 1. 壺嘴 Spout
- 2. 主機體 Main Body
- 3. 電源底座 Cordless Base
- 4. 蒸汽孔 Steam Hole

- 5. 壺蓋 Lid
- 6. 把手 Handle
- 7. 開關鍵 Power Switch
- 8. 電源線及插頭 Power Cord & Plug

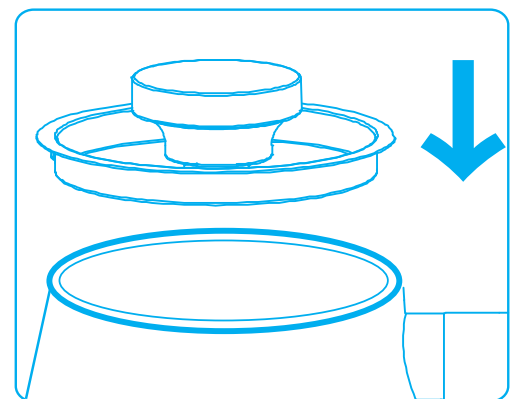
圖片只供參考，一切以實物為準
The picture is for reference only,
everything in kind shall prevail.

首次使用前準備: / Before Using For The First Time:

1. 確保已清除所有包裝物料。
Remove all the packing material.
2. 將電源底座放置在乾燥及平穩的表面。
Place the cordless base on a dry, stable and flat surface.
3. 將電源線從電源底座拉出至適當長度，將電源線穿過底座上的一個槽孔以固定其位置。
Unwind the power cord from the cordless base to suitable length. Pass the power cord through the slot of the cordless base to fix its position.
4. 用清水清洗產品內腔，然後加水到最高刻度(MAX水位線)，並將水煮沸一次(請參閱使用方法)。
Rinse the appliance cavity with water. Then fill water to the maximum water level (MAX on water level) and let the water boil once (Refer to operations).
5. 將熱水倒掉並再次清洗產品內腔。
Pour out the hot water and rinse the appliance cavity once more.

使用方法: / Operation:

1. 從電源底座提起主機體，打開壺蓋。
Take out the main body from the cordless base, open the lid.
2. 注入適量的水。注水不可超過"MAX 0.8L"刻度的位置。
Filling with proper amount of water. Do Not fill water exceed the "MAX 0.8L" mark.
3. 蓋上壺蓋直至聽到"喀嚓"一聲，代表壺蓋已關上。
Close the lid until hear a "click" sound, that means the lid is closed.
4. 將主機體放在電源底座上，並把電源插頭接上電源。
Place the main body onto the cordless base and insert the power plug into the power socket.
5. 按下開關鍵，指示燈同時亮起。
Press the power switch and the indicator light on.
6. 水煮至沸騰後，電水壺將會自動關機。
The appliance switch off automatically after water boiling.
7. 使用完畢，請經常保持拔掉電源。
Always unplug the power after use.



圖片只供參考，一切以實物為準
The picture is for reference only,
everything in kind shall prevail.

注意/CAUTION:

警告: 不使用電水壺時，經常保持拔除電源，及切勿將電水壺及電源底座浸於水或其他液體中。在清潔本電水壺前，先將電水壺關掉及把電源線從插座拔出，然後讓電水壺完全冷卻。

*注意：打開壺蓋，使電水壺冷卻更快。

WARNING: ALWAYS UNPLUG THE POWER CORD BEFORE MOVING OR SERVICING. DO NOT IMMERSE THE KETTLE AND CORDLESS BASE IN WATER! BEFORE CLEANING, MAKE SURE THAT THE UNIT HAS BEEN SWITCHED OFF AND IT IS UNPLUGGED FROM THE MAIN OUTLET AND LET THE KETTLE COOL DOWN COMPLETELY.

* Note: Open the lid to let the Kettle cool down more quickly.

外殼: 清理時切勿將電水壺及電源底座浸於水或其他液體中。使用濕潤軟布抹擦清潔，頑固污垢可用軟布沾上含肥皂的溫水抹擦。

Housing: Clean the outside and grille of the Kettle and base with a soft cloth. To remove persistent dirt, wipe down with a cloth that has been dampened with warm soapy water.

1. 每次使用後都要清潔電水壺。

Clean the Kettle each time .

2. 切勿使用研磨性、腐蝕性或易燃性清潔劑(例如漂白劑或酒精)清潔電水壺的任何部位。

Do NOT use abrasive, corrosive or flammable cleansers (such as bleach or alcohol) to clean any part of the Kettle.

3. 請勿使用金屬廚房用具或研磨性清潔材料來清潔燒電水壺、電源底座及壺蓋。

Do not use metal kitchen utensils or abrasive cleaning materials to clean the Kettle, base and lid.

4. 用濕布擦拭電水壺的外部。

Wipe the outside of the Kettle with a moist cloth.

5. 使用後，產品內腔及發熱板可能會出現小斑點(如啡色、乳白色、黑色等情況)或變色。這是由於水中所含的雜質引起變化或因水垢積聚太久所致，此屬正常現象。

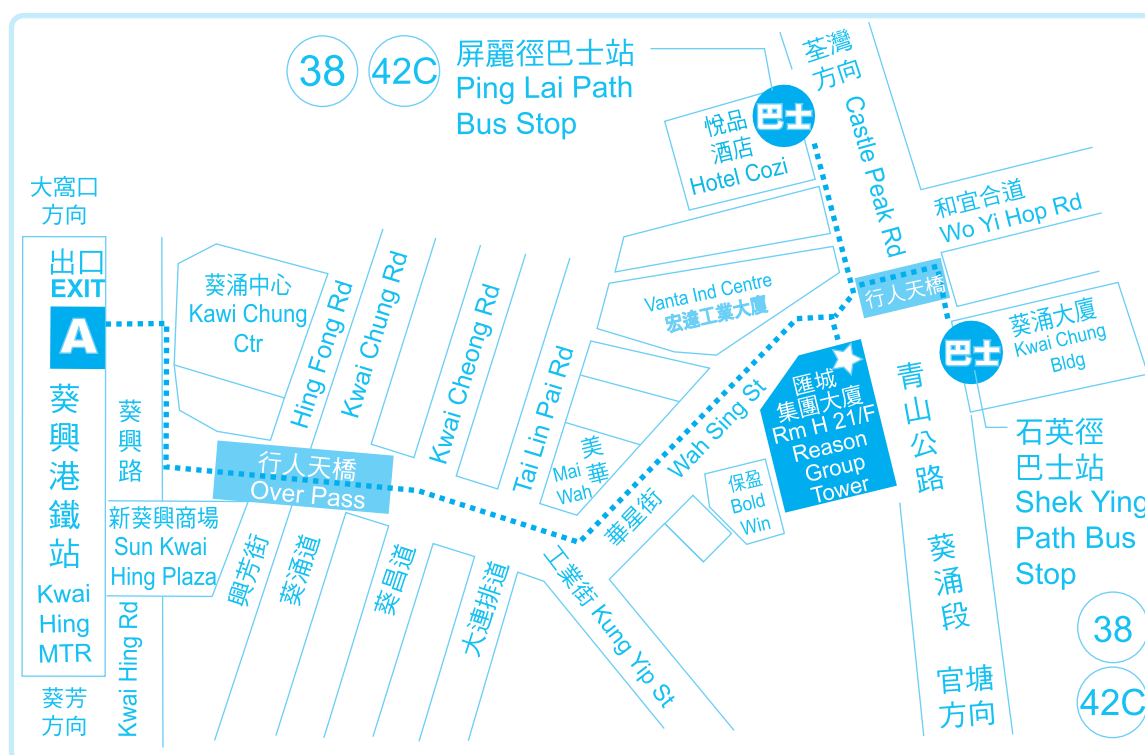
After use, some color spots (e.g. brown, milky, black, etc.) and discolor may appear in the appliance cavity and heating plate. This is because of the impurities contained in water or the accumulated scale, this situation also happens properly.

儲存: 連同使用說明書，把電水壺存放於清涼及乾爽的地方。

STORAGE: Store the Kettle with these instructions in the original box in a cool and dry place.

型號 Model Number	EK137
電源 Power Supply	220-240V~ 50-60Hz
額定功率 Rated Power	800-1000W
容量 Capacity	0.8公升(L) (約/Approx.)
產品尺寸 Product Dimension	300(W) x 185(H) x 165(D) mm (約/Approx.)

源澤地圖 Origin Map



辦公時間

10:30am - 12:30pm (星期一至五)
 02:30pm - 05:30pm (星期一至五)
 10:30am - 12:30pm (星期六)
 (星期日及公眾假期休息)

OFFICE HOURS

10:30am - 12:30pm (Mon to Fri)
 02:30pm - 05:30pm (Mon to Fri)
 10:30am - 12:30pm (Saturday)
 (Closed on Sunday and Holiday)

產品： 快速電水壺

型號： EK137

此產品由購買日期起計算，本公司將根據下列條款及細則，提供一年保養服務(商業用途則為3個月):

1. 於購買後一年內，經本公司技術員判斷為正常運作下損壞之產品，可獲免費維修和/或零件更換。

2. 以下情況不被包括在保養範圍內：

- 若產品是因為濫用、錯誤使用、疏忽及/或意外而遭致損壞；
- 未經本公司授權之自行處理、維修及/或改裝；
- 任何機殼、壺蓋、電源線及插頭，以及配件。

3. 需要檢查或維修時，請將產品送往本公司服務中心，並於修理妥當後自行取回。

4. 更換後之任何零件或配件，均屬本公司所有。

5. 本保養服務只適用於香港特別行政區。

6. 顧客必須同時出示零售商之正式發票，方可得到免費維修服務。

升級保用：(須於購買本產品後10天內完成以下步驟；升級保用不適用於商業用途)

A. 額外3個月保用: 於本公司網站完成登記，可享有共15個月免費保用；或

B. 額外6個月保用: 到訪並“追蹤”本公司 (Origin Marketing Limited) 的Facebook，即可享有共18個月免費保用。(如果已追蹤，則自動享有此升級保用，毋須再進行上述步驟)。

服務中心

源澤市務有限公司

香港新界葵涌青山公路403號(近華星街12號)匯城集團大廈21樓H室

www.origo.hk 電郵: info@origin.hk

電話: 2156 8238

www.origo.hk



Find us on



Warranty

Item : Electric Kettle

Model : EK137

This product is warranted for 1 year (commercial use for 3 months) from the date of purchase under the following conditions:

1. For any defect, in the judgment of our technician, if it is caused under normal use, we are responsible for repairing the product, and/or replacing parts at free of charge.

2. This warranty DOES NOT apply to:

- If the product was damaged by abuse, misuse, negligence or accidents;
- Repair, alteration/modification by unauthorized technician;
- The housing, lid, power cord & plug or accessories, is excluded from this warranty.

3. The customer is requested to bring the product to and from our Service Centre.

4. Any parts or accessories, which had been replaced, shall be of our property.

5. This warranty is valid in H.K.S.A.R. only.

6. Original invoice should be presented in order to get free service.

Extended Warranty: (Complete following procedure within 10 days from the date of purchase.

Extended warranty does not apply to commercial use)

A. Extra 3 months warranty: complete Online Warranty Registration on our website to enjoy a total of 15 months of warranty; or

B. Extra 6 months warranty: follow "Origin Marketing Limited" on Facebook to enjoy a total of 18 months of warranty. (If you have already followed, no need to do it again.)

Service Centre

ORIGIN MARKETING LIMITED

Unit H, 21/F., Reason Group Tower (nearby 12 Wah Sing Street),
403 Castle Peak Road, Kwai Chung, N.T., Hong Kong.

www.origo.hk Email: info@origin.hk

Tel: 2156 8238

www.origo.hk



Find us on

