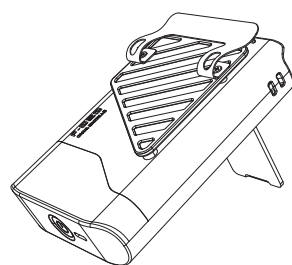




Rechargeable Fan User Manual



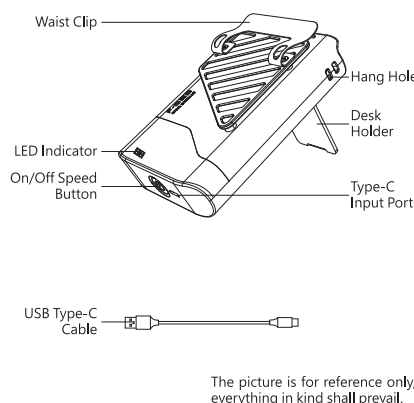
Model: HF506

*Please read the instruction carefully before use, and keep the instruction manual properly.
**This user manual can be acquired at www.batus.hk.

MODEL & SPECIFICATION

Product Name	Rechargeable Fan
Product Model	HF506
Input Voltage	DC5V 1.5A
Battery	Li-ion x 4000mAh
Speed	5 Speeds.
Charging Time	Approx. 4 Hours.
Operation Time	Approx. 8 Hours Max. (Depending on different settings)
Product Size	82(W) x 120(H) x 45(D)mm (Approx.)
Accessories	USB Type-C Cable, Neck Strap and User Manual

MAIN PARTS



ATTENTIONS

- This product is not intended for use by persons (including children) with reduced physical, sensory or mental capabilities, or lack of experience and knowledge, unless they have been given supervision or instruction concerning use of the product by a person responsible for their safety. Children should be supervised to ensure that they do not play with the product.
- This product contains a lithium battery, and it is for hidden to disassemble, hit, squeeze or throw it into fire. Do not use if severe swelling occurs. Do not place in a high temperature environment.
- Use this Fan only as described in this manual. Any other use not recommended by the manufacturer may cause fire, electrical shock or injury to persons.
- Open the package and ensure that the Fan is undamaged. In case of doubt, do not use the FAN and contact your supplier.
- Do not let children play parts of package.
- This Fan is driven by batteries. Please use the USB Type-C cable provided to fully charge the product before use.
- Do not take this Fan apart exposing electrical parts. Call customer service for assistance and guarantee information.
- Do not insert any objects into the Fan as it may cause an electric shock or damage. Do not block or tamper with the Fan in any manner while it is in operation.

- Do not leave the Fan unattended while using. Always switched off the Fan when not in use.
 - The Fan is not intended for use in wet or damp locations. Never locate the Fan where it may fall into a bathtub or other water container.
 - Do not place the Fan near a source of heat or fire.
 - WARNING:** To avoid danger of electric shock, unplug the USB Type-C cable and switched off the Fan when not in use and before cleaning. If the Fan is damaged, it must be replaced by the manufacturer, its service agent or similarly qualified persons in order to avoid hazard.
- This product contains recyclable materials. Do not dispose this product as unsorted municipal waste. Please contact your local municipality for the nearest collection.
- ### DIRECTIONS FOR USE
- Please use the correct power to connect with USB Type-C cable or charging use.
 - On/Off: Turn the Fan on by pressing the on/off speed button, the Fan start at speed 1.
 - Speed: Adjust the Fan speed to the desired level by pressing on/off speed button, the speed setting is displayed on the LED indicator.
 - Off: To turn the Fan off, press and hold the on/off speed button until it stops.
-

CHARGING/OPERATION TIME

- It is recommended to charge it every 3 months to avoid battery damage and affect product functions if the product is not working for a long time.
- When the product is not working for a long time, please make sure it can storage under low humidity or room temperature in case of environment factors to the product function damage.
- It is recommended to use DC5V 1.5A power supply for charging to achieve the better battery performance. (Power adaptor not included)
- When using the Fan while charging, it is recommended to use a DC5V 1.5A power supply.
- Charging and operation time vary with settings and environmental factors; actual results will vary.

MAINTENANCE & CARE

WARNING: ALWAYS UNPLUG THE POWER CORD BEFORE MOVING OR SERVICING. DO NOT IMMERSE THE FAN IN WATER! BEFORE CLEANING, MAKE SURE THAT THE UNIT HAS BEEN SWITCHED OFF AND IT IS UNPLUGGED FROM THE MAIN OUTLET.

Housing: Clean the outside of the Fan with a soft cloth, to remove persistent dirt or grime wipe down with a cloth that has been dampened with warm soapy water.



CAUTION: Do NOT use gasoline, benzene, thinner, harsh cleaners, etc., as they will damage the Fan. NEVER use ALCOHOL or any other SOLVENTS.

STORAGE: Store the Fan with these instructions in the original box in a cool and dry place.

TROUBLE SHOOTING

Symptom	Reason	Solution
The product does not work	Type-c port is not inserted	Insert the Type-C port
	On/Off speed button is not turned on	Turn on the On/Off speed button
	Abnormal power supply	Recommended to use DC5V 1.5A
Abnormal Noise	Fan crack	Need to repair
	Motor damage	Need to repair

WARRANTY

This product is guaranteed for 1 year (commercial use for 3 months) from the date of receipt against manufacturing defect. The warranty does not cover the housing, USB Type-C cable, neck strap and other accessories, damage or defect caused by negligence or use not according to this instruction manual.

Extended Warranty: (Complete following procedure within 10 days from the date of purchase. Extended warranty does not apply to commercial use)

- Extra 3 months warranty: complete Online Warranty Registration on our website to enjoy a total of 15 months of warranty; or
- Extra 6 months warranty: follow "Origin Marketing Limited" on Facebook to enjoy a total of 18 months of warranty. (If you have already followed, no need to do it again.)

Remark: For any repair service, please contact and bring with the invoice or receipt to the Service Centre.

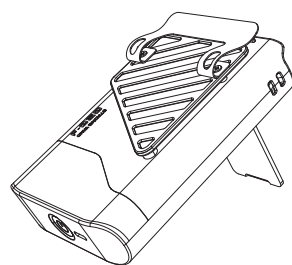
SERVICE CENTRE

ORIGIN MARKETING LIMITED
Unit H,21/F, Reason Group Tower (nearby 12 Wah Sing Street), 403 Castle Peak Road, Kwai Chung, N.T., Hong Kong.
www.origin.hk Email: info@origin.hk
Tel: (852) 2156 8238

Office Hours
10:30am - 12:30pm (Mon ~ Fri)
02:30pm - 05:30pm (Mon ~ Fri)
10:30am - 12:30pm (Sat)
(Closed on Sunday and Holiday)



充電風扇 使用說明書



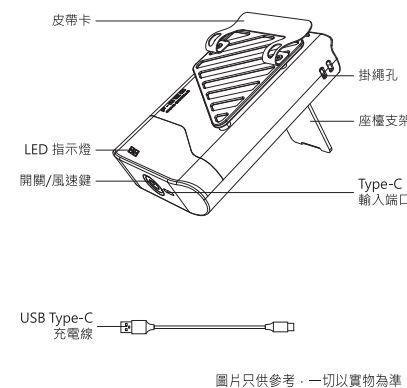
產品型號: HF506

*使用風扇前，請先細閱使用說明書，並請妥善保存以便將來翻閱。
**本說明書可於本公司網站下載 www.batus.hk。

型號及規格

名稱	充電風扇
型號	HF506
輸入電壓	DC5V 1.5A
電池	Li-ion x 4000mAh
風速	5段風速
充電時間	約4小時
使用時間	約8小時(根據不同設定)
產品尺寸	約82(W) x 120(H) x 45(D)mm
配件	USB Type-C 充電線、頸帶及說明書

各部名稱



重要安全提示

- 本機不是為體質、感覺或智力有障礙人士(包括小孩)或缺乏經驗及知識者使用。除非他們曾經接受負責安全人士的監督或指示，大人應指導小孩不可把玩電器。
- 本產品內有鋰電池，禁止拆解、撞擊、擠壓或投入火中。若出現嚴重鼓脹，請勿繼續使用。請勿置於高溫環境。
- 必須按照使用說明指示操作本風扇，否則可能引致產品損壞、短路、火警或人命損傷。
- 打開包裝，檢查風扇。如發現產品有損壞，請勿使用及即時聯絡供應商。
- 包裝物料並非玩具，不可讓小孩玩耍。
- 本產品內置充電電池，請使用本產品提供的USB Type-C充電線替產品進行完全充電。
- 不可擅自拆卸、修理、改造本產品，如有任何問題請先致電客戶服務中心。
- 切勿將任何異物放入風扇內；或阻擋風扇出口及入風口，皆因以上一切行為均可能導致風扇損壞。
- 非使用風扇時請關掉風扇。
- 不可在潮濕或有積水的環境使用，不可將風扇擺放於浴缸或大型容器上面。
- 切勿將風扇擺放在發熱源頭或火源附近。
- 警告；清理前必須先拔除 USB Type-C 充電線及關掉風扇。若風扇損壞，必須交由製造商或其代理指定維修服務中心檢查及修理。

本產品含有可回收材料，不可把本產品作為未分類廢物。請聯繫當地就近指定回收點。

使用方法

- 將USB Type-C充電線接駁到風扇Type-C輸入端口，再把USB Type-C充電線連接到設備或充電使用。
- 開/關：按開關/風速鍵，風扇以第1檔啟動。
- 風速：按開關/風速鍵，設定所需風速，LED指示燈將會顯示風速。
- 關機：如需關機，按開關/風速鍵直至停機為止。

充電及使用時間

- 如本產品長期不使用時，建議每三個月充電一次，避免電池損壞導致產品不能使用。
- 產品長期不使用時，請在常溫低濕度的環境下儲存，以免不良的環境導致產品功能損壞。
- 建議使用DC5V 1.5A電源充電，以達成最佳的電池使用表現。(電源適配器不包括在內)
- 充電時同時使用風扇，建議使用DC5V 1.5A電源。
- 充電及使用時間視乎設定和環境因素而定；實際結果可能有所差異。

清理及維護

警告：不使用風扇時，經常保持拔除電源，及切勿將風扇浸於水或其他液體中。在清潔本風扇前，先將風扇關掉及把電源線從插座拔出。

外殼：清理時切勿將風扇浸於水或其他液體中。使用濕潤軟布抹擦清潔，頑固污垢可用軟布沾上含肥皂的溫水抹擦。



注意：切勿使用含有腐蝕性的清潔劑或溶液清理風扇。

儲存：連同使用說明，把風扇存放於清涼及乾爽的地方。

故障排除

故障	原因	解決方法
產品無法運作	Type-C連接埠未插入	插入Type-C連接埠
	開關/風速鍵沒有開啟	開啟開關/風速鍵
	電源異常	建議使用DC5V 1.5A電源
異常噪音	風輪破裂	需要到代理維修
	電機損壞	需要到代理維修

服務中心

源澤市務有限公司
香港新界葵涌青山公路403號
匯城集團大廈21樓H室(近華星街12號)
www.origin.hk 電郵: info@origin.hk
電話: (852) 2156 8238

辦公時間
上午10:30 - 下午12:30 (星期一至五)
下午02:30 - 下午05:30 (星期一至五)
上午10:30 - 下午12:30 (星期六)
(星期日及公眾假期休息)



源澤地圖/Origin Map

