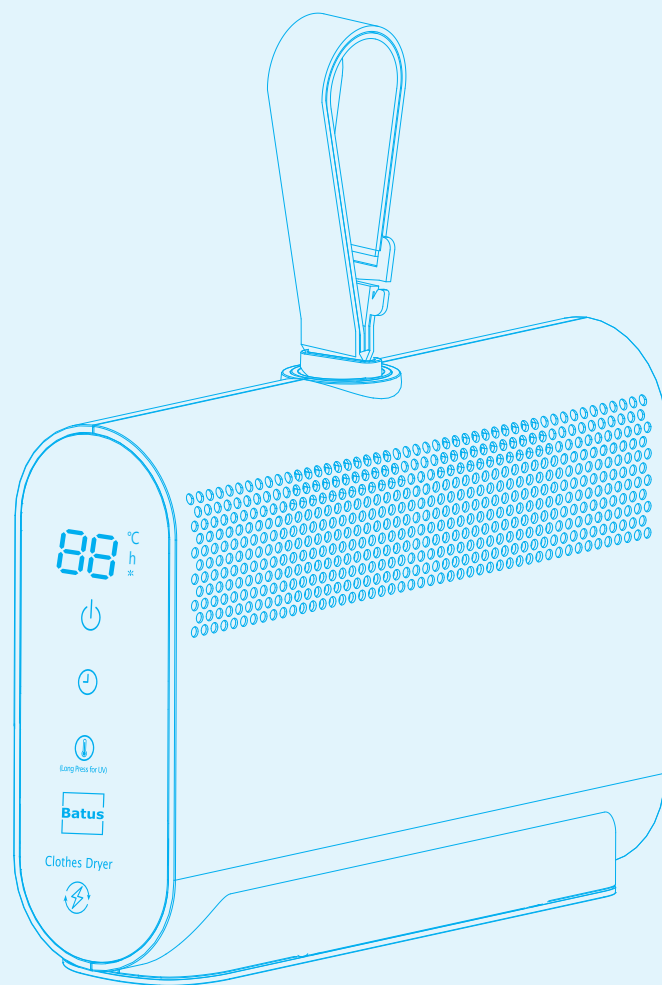


雙電壓乾衣寶 Dual Voltage Clothes Dryer



CD700 使用說明書 Instruction Manual

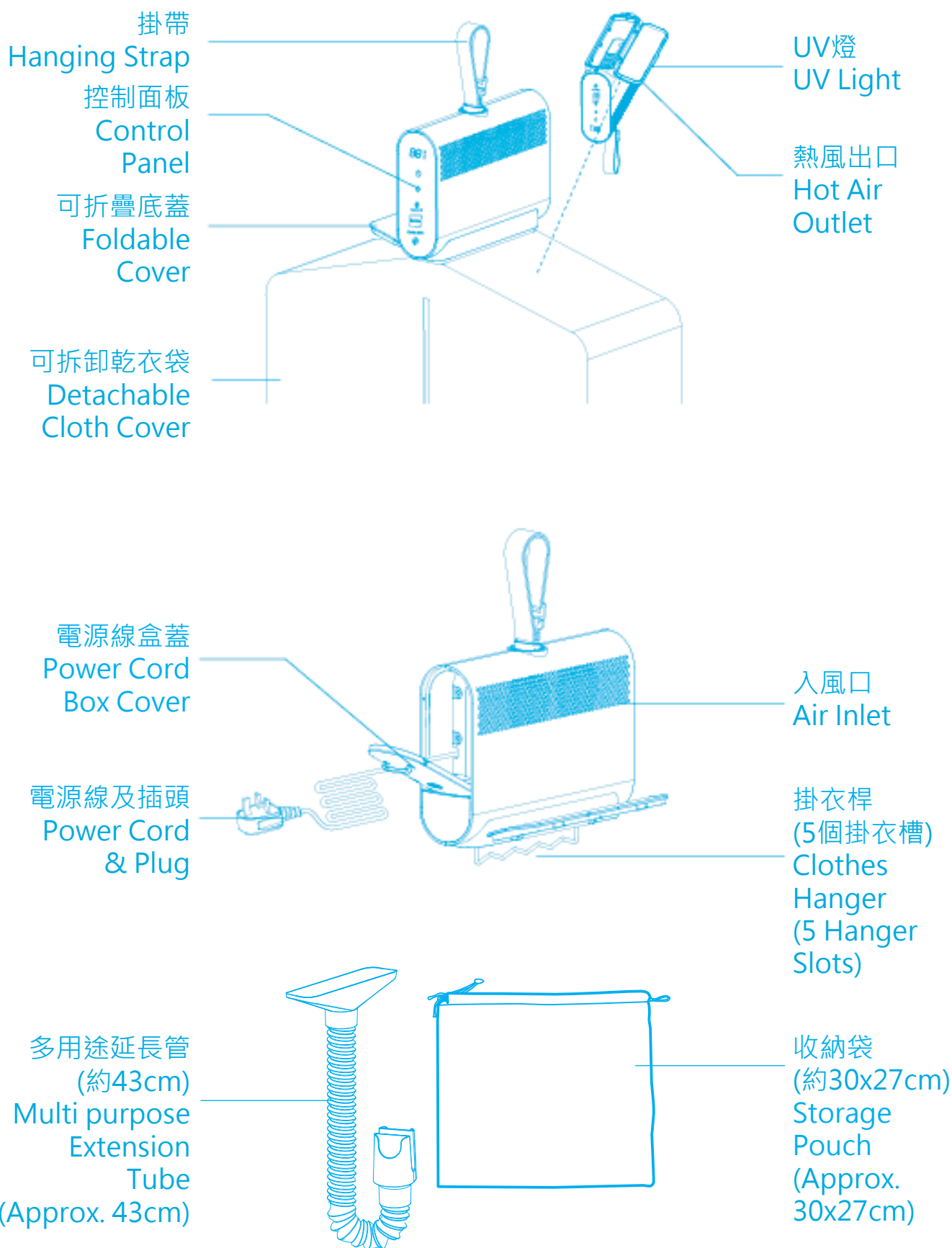
- 使用產品前，請先細閱本使用說明書，並請妥善保存以便將來翻閱。
- 本說明書及其修正版本（如有）可於本公司網站www.origin.hk下載。
- 本說明書所載的功能、外觀、圖片及數據皆以實物為準。
- Read all instructions before using the product. Keep this manual for future reference.
- This instruction manual is also available at www.origin.hk.
- In case of any discrepancies between this manual and the actual product—such as functions, drawings, photos, or data—the actual product shall prevail.

- 使用乾衣寶前，請先細閱使用說明書。
Read all instructions carefully before using the Clothes Dryer.
- 本機不是為8歲以下小孩，體質、感覺或智力有障礙人士或缺乏經驗及知識者使用，除非他們曾經接受負責安全人士的監督或指示。大人應指導小孩不可把玩電器。
This appliance can be used by children aged from 8 years and above and persons with reduced physical, sensory or mental capabilities or lack of experience and knowledge if they have been given supervision or instruction concerning use of the appliance in a safe way and understand the hazards involved. Children shall not play with the appliance. Cleaning and user maintenance shall not be made by children without supervision.
- 未滿3歲的小孩除非受到持續監護，否則應該遠離本產品。
Children of less than 3 years should be kept away unless continuously supervised.
-  警告：為防乾衣寶過熱，切勿覆蓋乾衣寶的出、入風口。使用中的乾衣寶出口會發出高熱，切勿觸碰。
 **WARNING:** In order to avoid overheating, do not cover the Clothes Dryer. The Clothes Dryer is hot when in use. To avoid burns, do not let bare skin touch hot parts of the appliance.
- 年齡在3至8歲的小孩只有在產品已經被放置或安裝在其預期的正常操作位置，並已經接受了使用本產品的安全指導或監督並理解可能存在的危險時，才能開關產品。其不得插拔電源、調節和清潔產品，也不得進行用戶維護。
Children aged from 3 years and less than 8 years shall only switch on/off the appliance provided that it has been placed or installed in its intended normal operating position and they have been given supervision or instruction concerning use of the appliance in a safe way and understand the hazards involved. Children aged from 3 years and less than 8 years shall not plug in, regulate and clean the appliance or perform user maintenance.
- 使用時確保乾衣寶懸掛在不易掉落的配件上，且主體部分嚴禁進水。
Use this Clothes Dryer hang on the attachment which is not easy to fall, and keep the main unit away from water.
- 如本產品的電源線有損壞痕跡，為保障安全，請立即停止使用並聯絡供應商更換。
If the supply cord is damaged, it must be replaced by manufacturer, its service agent or similarly qualified persons in order to avoid a hazard.
- 如乾衣寶有明顯的損壞跡象，請勿使用。
Do not use if there are visible signs of damage to the Clothes Dryer.
- 請不要使用曾經掉落的乾衣寶。
Do not use this Clothes Dryer if it has been dropped.

- 警告: 除非提供持續監督, 否則當無法自行離開房間的人佔用時, 請勿在細小房間內使用此乾衣寶。
WARNING: Do not use this Clothes Dryer in small rooms when they are occupied by persons not capable of leaving the room on their own, unless constant supervision is provided.
- 切勿把乾衣寶擺放於電源插座之下。
The Clothes Dryer must not be located immediately below a socket outlet.
- 警告: 乾衣寶的入風口應與易燃物品(如傢俱、枕頭、床舖、毛巾或窗簾等)保持安全距離不少於1米。
WARNING: To reduce the risk of fire, keep textiles, curtains, or any other flammable material a minimum distance of 1 m from the air inlet of the Clothes Dryer.
- 乾衣寶不可擺放於有潛在危險的地方使用(例如: 非常潮濕環境、易燃物品或化學品倉庫)。
The Clothes Dryer must NOT be used in potentially dangerous locations such as areas containing flammable or explosive materials, chemical-laden environments, or wet conditions.
- 乾衣寶不適用於室外及作工業用途。
The Clothes Dryer is intended for household use ONLY, not for industrial or outdoor use.
- 打開包裝, 檢查產品。如發現產品有損壞, 請勿使用及即時聯絡供應商。請使用獨立插座。
Remove all packaging materials and ensure that the product is undamaged. If in doubt, do not use
- 包裝物料並非玩具, 不可讓小孩玩耍。
Do not let children play with any packaging materials.
- 使用萬能插頭或拖板, 容易發生危險。
Avoid using extension cords as the extension cord may overheat and cause fire.
- 掛衣服前, 產品電源插頭必須保持乾燥; 當產品準備連接電源時, 操作前請保持雙手乾燥, 以免觸電。
Before hanging clothes, the power plug of the product must be kept dry; when the product is ready to be connected to the power supply keep hands dry before operation to avoid electric shock.
- 拔除插頭時不可拉扯電源線, 必須緊握插頭, 把插頭拔出。
Do not pull the power cord to disconnect from the power source. Always grasp the plug when unplugging.
- 警告開/關鍵不應作為切斷電源用途。
WARNING: The On/Off key should not be used as the sole means of disconnecting power.
- 警告: 清潔前必須先拔除電源插頭。
WARNING: To avoid danger of electric shock, unplug from outlet when not in use and before cleaning.
- 警告: 本產品僅適用於烘乾衣物和洗滌紡織品。
WARNING: This product is suitable only for drying clothes and fabric items.

- 乾衣寶不可擺近水盆、浴缸、花灑、泳池、潮濕或有積水的周邊環境使用。
The Clothes Dryer is not intended for use in the immediate surroundings of a basin, a bath, a shower, a swimming pool, wet or damp environments.
- 切勿將任何異物放入乾衣寶內；或阻擋機身熱風出口及入風口；或將乾衣寶放置在柔軟或不穩固的表面上(例如床舖)，皆因以上一切行為均會導致機身過熱，引發短路或火警。
Do not insert any objects into the Clothes Dryer as it may cause an electric shock or fire or damage to the Clothes Dryer. Do not block or tamper with the Clothes Dryer in any manner while it is in operation. To prevent a possible fire, do not block air inlet or hot air outlet in any manner. Do not place on soft surfaces, like a bed, where opening may become blocked.
- 使用本產品前，需檢查主機熱風出口、上、側進風口是否被織物、絮狀物、灰塵等堵塞，若主機進風口堵塞，必須及時用刷子等工具清除；若出風口堵塞，請確保清除阻塞物後才可使用。
Before using this product, it is necessary to check whether the hot air outlet, the upper and side air inlet of the main unit are blocked by textile, lint, dust, etc. If the air inlet of the main unit is blocked, it must be promptly removed using a brush or similar tool; if the air outlet is blocked, please make sure to remove the blockage before using.
- 使用前必須打開底蓋及取出掛衣桿固定綿。
Open the cover and remove the foam inside before use.
- 本產品專為衣物快速乾燥和護理功能而設計，不能用作暖風機、吹風機、淨化器等產品，以免乾衣寶發生故障。
This product is designed for fast drying and clothing care, must not be used as a heater, blower, air purifier, or for any other purpose to avoid Clothes Dryer failure.
- 使用乾衣寶時，乾衣寶與牆壁最少保持30毫米距離。
Keep the Clothes Dryer at least 30 mm away from the wall.
- 乾衣前，應注意衣物上的標籤，認清該衣物是否可使用乾衣寶及使用溫度限制。
Check the clothing care label before drying, make sure they can be dried using the Clothes Dryer, pay special attention to its temperature limits.
- 只可使用金屬衣架，切勿使用塑膠及木製衣架。
Only use metal hangers; never use plastic or wooden hangers.
- 如果衣服是襯衫或T恤等，請確保衣領不會遮擋上部進風口，並且不要在衣櫃或衣服或高密度環境中使用該產品，以免影響工作影響產品或導致產品過熱保護和停機。
If the clothes are shirts or T-shirts, etc, make sure that the collar does not block the upper air inlet, and do not use the product in the wardrobe or clothes or in tightly enclosed spaces, so as not to reduce drying performance or trigger overheating protection and automatic shutdown.

- 乾衣寶只適用於外套、襯衫、T恤、短褲、背心、嬰兒背心、女士內衣衣服、內衣、襪子等(禁止附著大型家用紡織品)。
The Clothes Dryer is only suitable for coat, shirt, T-shirt, shorts, vest, infant singlet, women's undergarments, underwear, socks, etc. (Do not dry large household textiles).
- 本產品若沒有套上專用乾衣袋或延長管，或乾衣袋拉鍊頭未扣緊拉鍊安全鎖，嚴禁開機使用。
DO NOT turn on this product if the cloth cover or extension tube is not properly placed on the Clothes Dryer, or if the zipper of the cloth cover is not properly locked onto the zipper safety lock.
- 使用本產品前，必須將乾衣袋的密封圈或延長管完整套進乾衣寶底部外圍的凹槽內，使其與乾衣寶閉合，防止漏氣。
Before turning on this product, make sure the seal ring of the cloth cover or extension tube is securely sealed onto the hanger, to avoid odor escaping out.
- 乾衣期間，嚴禁將乾衣袋拉鍊拉開，嚴禁打開乾衣袋。
During clothes drying process, DO NOT unlock the zipper safety lock, unzip or open the cloth cover.
- 本產品的最高承重量為5kg。嚴禁超越最高承重量。
This product has a maximum loading capacity of 5kg. DO NOT exceed the maximum loading capacity.
- 乾衣後衣架灼熱，取出時小心燙手。
The hangers will be very hot after drying; handle with care when removing them as they may burn your hands.
- 本產品若使用不當，可能洩漏令人不舒服的氣味。若出現此情況，請立刻關機，通風除味。
Improper use of this product may lead to odor leakage from the bag. If an unusual odor is detected, turn off this product immediately and open the window to let the odor dissipate.
- 本產品必須使用專用的乾衣袋或延長管。嚴禁使用其他掛衣袋。
This product must be used together with its own special cloth cover or extension tube. DO NOT use other cloth cover.
- 衣服必須掛在掛衣桿上，嚴禁放置在乾衣袋底部，以免使乾衣袋的密封圈變形。
Clothes should be hung from the clothes hanger of the product. DO NOT place clothes on the bottom of the cloth cover as it may cause the seal ring to deform.
- 若乾衣袋有任何破損，如裂縫、裂口或破洞，嚴禁使用，並立刻聯絡服務中心。
If the cloth cover is cracked, torn or the stitching has come loose, stop using the product immediately and contact the service centre.
-  本產品含有可回收材料，不可把本產品作為未分類廢物。請聯繫當地就近指定回收點。
 This product contains recyclable materials. Do not dispose this product as unsorted municipal waste. Please contact your local municipality for the nearest collection point.



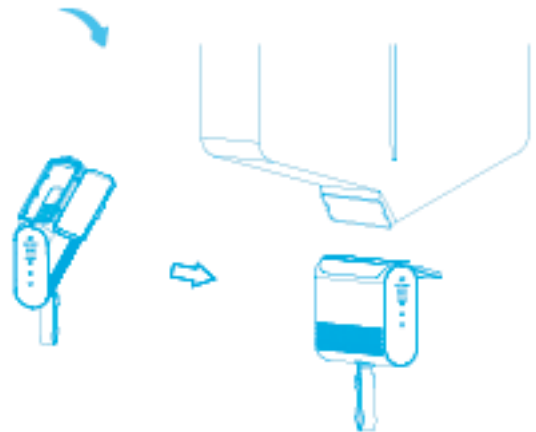
圖片只供參考，一切以實物為準
The picture is for reference only,
the actual product shall prevail.

1



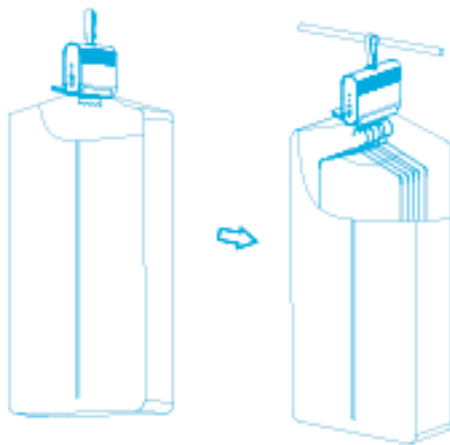
1. 打開電源線盒蓋，取出內部電源線。使用前必須打開底蓋及取出掛衣桿固定綿。
Open the power cord box cover and take out the internal power cord. Open the cover and remove the foam inside before use.

2



2. 組裝乾衣袋：將乾衣寶倒置及將乾衣袋四個卡扣插入乾衣寶邊緣孔內。
Assemble the cloth cover: Turn the Clothes Dryer upside down and insert the four buckles of the cloth cover into the edge holes of the Clothes Dryer.

3



3. 將掛衣桿拉出，掛上衣架並將衣服掛在衣架上，拉上拉鍊掛上掛帶並接上電源，乾衣寶即可進入待機模式。

或

Pull out the clothes hanger then hang the hanger to the clothes hanger than place the clothes on the hanger, pull the zipper, secure the hanging strap and plug it into a power outlet, then the Clothes Dryer will enter standby mode.

or

4



4. 取出乾衣袋，接上延長管，套在衣服或鞋子上並接上電源，乾衣寶即可進入待機模式。

Take out the cloth cover, attach the extension tube, place it over the clothes or shoes and plug it into a power outlet, then the Clothes Dryer will enter standby mode.

圖片只供參考，一切以實物為準
The picture is for reference only, the actual product shall prevail.

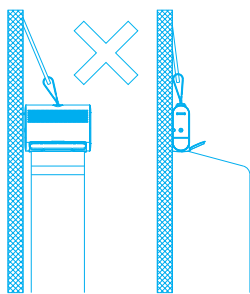
懸掛使用注意事項:

Precautions For Hanging Use:

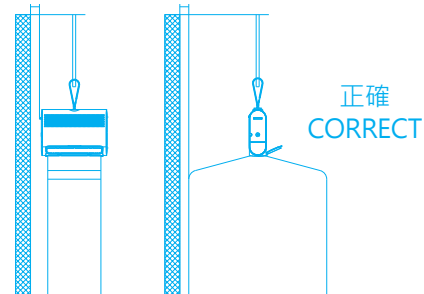
請勿靠牆懸掛，容易堵塞進風口，影響烘乾效果並造成乾衣寶損壞。

Do not hang it against the wall, it is easy to block the air inlet, affect the drying effect and cause damage to the Clothes Dryer.

不能緊密地掛在牆上
Do not hang close to a wall



確保預留3厘米以上距離
Maintain at least 3 cm of clearance above the unit

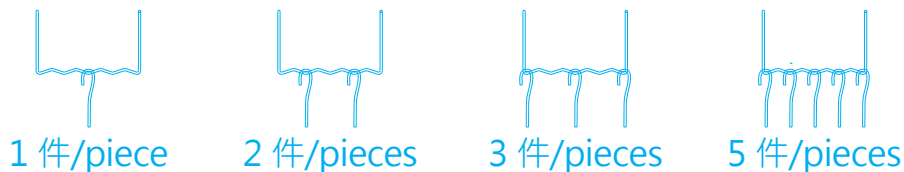


單件和多件衣物的懸掛技巧

Hanging Skills Of Single And Multiple Clothes

建議以以下懸掛方式晾乾，效果較佳:

For better drying performance, use the following hanging methods:

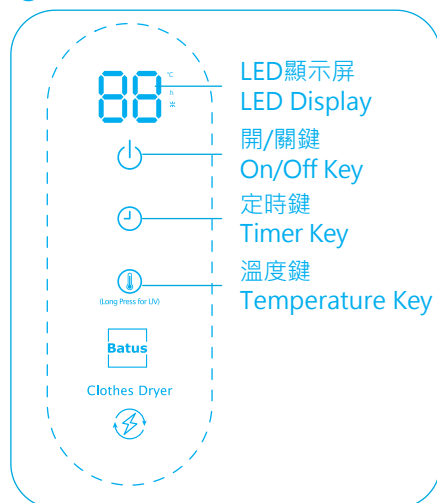


圖片只供參考，一切以實物為準
The picture is for reference only, the actual product shall prevail.

- 每次最多只能掛上5件衣物及最多5公斤衣物。
A maximum of 5 pieces of clothing and a maximum of 5 KG of clothing can be hung at a time.
- 長袖衣服，袖子盡量抖鬆整理得直。
Straighten and loosen the sleeves as much as possible.
- 長褲、長裙等衣服，建議對摺後才掛在衣架上。
Trousers, dresses and other long clothes, it is recommended to fold in half before hanging them on the hanger.
- 只可使用金屬衣架，切勿使用塑膠及木製衣架。
Only use metal hangers; never use plastic or wooden hangers.
- 乾衣後衣架灼熱，取出時小心燙手。
The hangers will be very hot after drying; handle with care when removing them as they may burn your hands.
- 懸掛衣物前必須將掛衣桿拉出，才可掛上衣架及衣物。
Before hanging clothes, the clothes hanger must be pulled out.

主要按鍵 | Function Keys

- 乾衣寶可使用機身控制面板操控。
- The Clothes Dryer may be operated by the control panel.
- 將插頭插入獨立插座，乾衣寶進入待機模式。
- Plug the power plug into electrical outlet, the Clothes Dryer enters standby mode.



圖片只供參考，一切以實物為準
The picture is for reference only, the actual product shall prevail.

- 在待機狀態下，按開/關鍵 ，乾衣寶啟動，LED顯示屏顯示65°C，UV燈開啟。"※"指示燈亮起。
- In standby mode, press the on/off & power key  , the Clothes Dryer will start working, the LED display shows 65°C, the UV light is on, the "※" indicator light on.
- 按溫度鍵  可循環切換工作溫度：65度或75度。當UV燈開啟時，長按此鍵可關閉UV燈。再長按此鍵可開啟UV燈。
- Press the temperature key  to cycle through the working temperature: 65°C or 75°C. When the UV light is on, long press this key to turn off the UV light. Long press this key again to turn on the UV light.
- 在工作狀態下，按下定時鍵  選定8個不同的自動關機時間，分別由1至8小時，LED顯示屏顯示已選擇的時間，"h"指示燈亮起。
- In the working state, Press the timer key  to set the desired auto power off time. There are 8 time intervals, from 1-hour to 8-hour, for auto power off. The LED display indicates the time selected, the "h" indicator light on.
- 關機：如需關機，按  鍵。
- OFF: To turn the Clothes Dryer off, press the  key.

注意/Notice:

為加強使用安全，本乾衣寶預設無按鍵操作後8小時強制關機功能。為使機內溫度下降，關機後的乾衣寶，風扇將繼續送風15秒，才完全停止運作。

In order to enhance the safety of use, this Clothes Dryer is preset with an 8-hour forced shutdown function after 8 hours of inactivity. The FAN will work for 15 seconds to cool down the Clothes Dryer and before turning off completely. 關機後的乾衣寶仍有餘熱，需要等待乾衣寶散熱後才可關上底蓋。

The Clothes Dryer may remain hot after shutdown. Allow the Clothes Dryer to cool down completely before closing the cover.

注意 / CAUTION:

警告: 不使用乾衣寶時，經常保持拔除電源，及切勿將乾衣寶浸於水或其他液體中。在清潔本乾衣寶前，先將乾衣寶關掉及把電源插頭從插座拔出。

WARNING: ALWAYS UNPLUG THE POWER CORD BEFORE MOVING OR SERVICING. DO NOT IMMERSE THE CLOTHES DRYER IN WATER! BEFORE CLEANING, MAKE SURE THAT THE UNIT HAS BEEN SWITCHED OFF AND IT IS UNPLUGGED FROM THE MAIN OUTLET.

外殼: 清理時切勿將乾衣寶浸於水或其他液體中。使用濕潤軟布抹擦清潔，頑固污垢可用軟布沾上含肥皂的溫水抹擦。

Housing: Clean the outside and grille of the Clothes Dryer with a soft cloth. To remove persistent dirt, wipe down with a cloth that has been dampened with warm soapy water.

切勿使用研磨性、腐蝕性或易燃性清潔劑(例如漂白劑或酒精)清潔乾衣寶的任何部位。

Do NOT use abrasive, corrosive or flammable cleansers (such as bleach or alcohol) to clean any part of the Clothes Dryer.

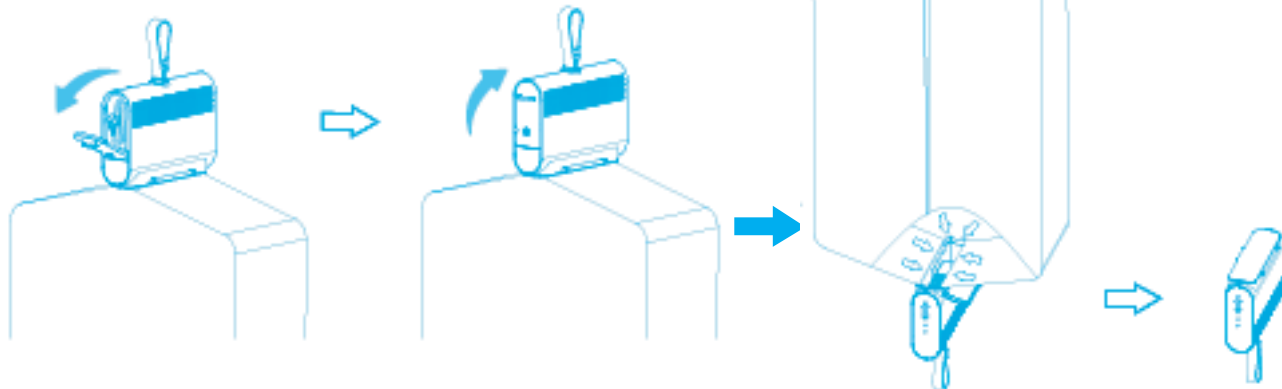
乾衣袋的拆卸和清洗方法 / The Removal And Washing Method Of Cloth Cover
握住乾衣寶外殼以取下乾衣袋。

Hold the housing of Clothes Dryer to remove the cloth cover.

為防止乾衣袋變形，請勿使用洗衣機清洗乾衣袋，建議使用手洗。

To prevent the deformation of the cloth cover, do not machine wash the cloth cover, hand washing is recommended.

存放方法 / Storage Method:



1. 打開電源線盒蓋，將電源線收好放進收納盒裡，關上盒蓋。

Open the power cord box cover, neatly store the power cord inside the storage box, and close the cover.

2. 將乾衣寶反轉，並將掛衣桿推到底，將乾衣袋疊好後放入乾衣寶內部並關上底蓋。

Turn the Clothes Dryer upside down, push the clothes hanger all the way down, fold the cloth cover, place it inside the Clothes Dryer, and close the bottom cover.

圖片只供參考，一切以實物為準
The picture is for reference only, the actual product shall

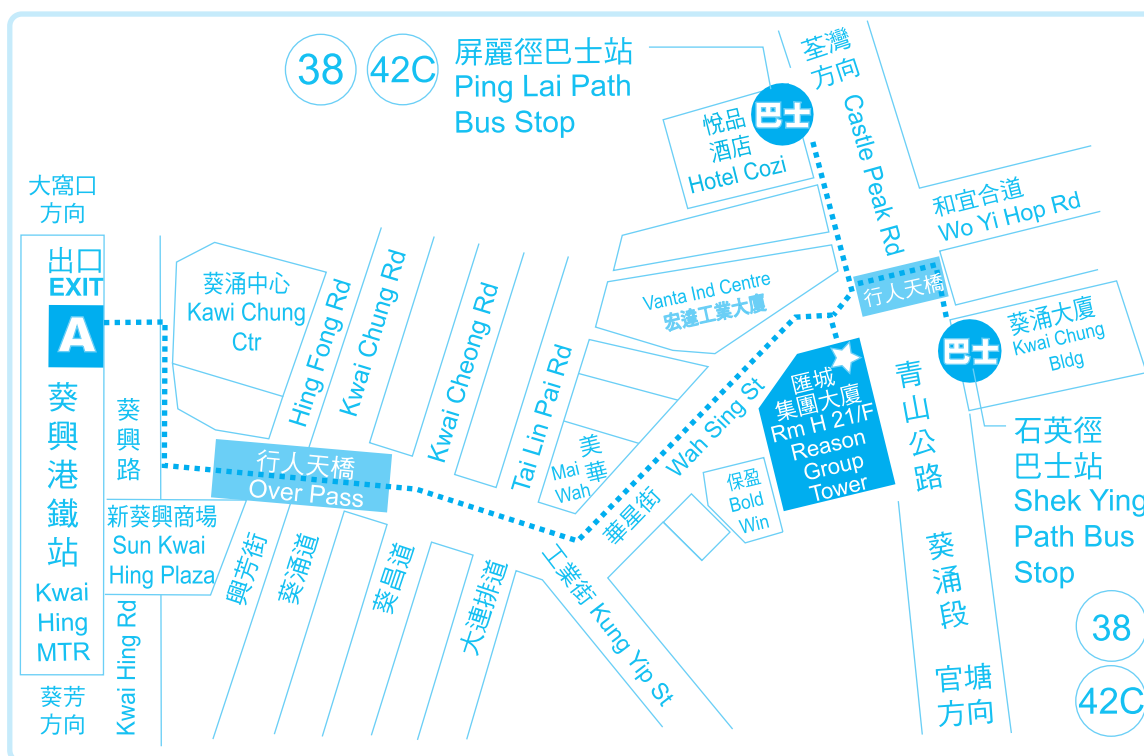
儲存: 連同使用說明書，把乾衣寶存放於清涼及乾爽的地方。

STORAGE: Store the Clothes Dryer with these instructions in the original box in a cool and dry place.

型號 Model Number	CD700
電源 Power Supply	100-240V~ 50-60Hz
額定功率 Rated Power	390-430瓦特/Watts
最大負載量 Max. Loading	5公斤/ KG (約/Approx.)
淨重 Net Weight	1公斤/ KG (約/Approx.)
機身尺寸 Unit Dimension (約/Approx.)	61(W) x 171(H) x 227(D) mm (摺疊後/Folded)
	400(W) x 1200(H) x 340(D) mm (連乾衣袋/with cloth cover)

源澤地圖

Origin Map



辦公時間

10:30am - 12:30pm (星期一至五)
 02:30pm - 05:30pm (星期一至五)
 10:30am - 12:30pm (星期六)
 (星期日及公眾假期休息)

OFFICE HOURS

10:30am - 12:30pm (Mon to Fri)
 02:30pm - 05:30pm (Mon to Fri)
 10:30am - 12:30pm (Saturday)
 (Closed on Sunday and Holiday)

保用

雙電壓乾衣寶
Dual Voltage Clothes Dryer



產品: 雙電壓乾衣寶

型號: CD700

此產品由購買日期起計算, 本公司將根據下列條款及細則, 提供一年保養服務(商業用途則為3個月):

1. 於購買後一年內, 經本公司技術員判斷為正常運作下損壞之產品, 可獲免費維修和/或零件更換。
2. 以下情況不被包括在保養範圍內:
 - 若產品是因為濫用、錯誤使用、疏忽及/或意外而遭致損壞;
 - 未經本公司授權之自行處理、維修及/或改裝;
 - 任何機殼、乾衣袋、多用途延長管、電源線及插頭, 以及配件。
3. 需要檢查或維修時, 請將產品送往本公司服務中心, 並於修理妥當後自行取回。
4. 更換後之任何零件或配件, 均屬本公司所有。
5. 本保養服務只適用於香港特別行政區。
6. 顧客必須同時出示零售商之正式發票, 方可得到免費維修服務。

升級保用: (須於購買本產品後10天內完成以下步驟; 升級保用不適用於商業用途)

- A. 額外3個月保用: 於本公司網站完成登記, 可享有共15個月免費保用; 或
- B. 額外6個月保用: 到訪並“追蹤”本公司 (Origin Marketing Limited) 的Facebook, 即可享有共18個月免費保用。(如果已追蹤, 則自動享有此升級保用, 毋須再進行上述步驟)。

服務中心

源澤市務有限公司

香港新界葵涌青山公路403號(近華星街12號)

匯城集團大廈21樓H室

www.origin.hk 電郵: info@origin.hk 電話: 2156 8238

www.origin.hk



Find us on



Instragarm



Warranty

Item : Dual Voltage Clothes Dryer

Model : CD700

This product is warranted for 1 year (commercial use for 3 months) from the date of purchase under the following conditions:

1. For any defect, in the judgment of our technician, if it is caused under normal use, we are responsible for repairing the product, and/or replacing parts at free of charge.
2. This warranty DOES NOT apply to:
 - If the product was damaged by abuse, misuse, negligence or accidents;
 - Repair, alteration/modification by unauthorized technician;
 - The housing, cloth cover, multi purpose extension tube, power cord & plug or accessories.
3. The customer is requested to bring the product to and from our Service Centre.
4. Any parts or accessories, which had been replaced, shall be of our property.
5. This warranty is valid in H.K.S.A.R. only.
6. Original invoice should be presented in order to get free service.

Extended Warranty: (Complete following procedure within 10 days from the date of purchase. Extended warranty does not apply to commercial use)

- A. Extra 3 months warranty: complete Online Warranty Registration on our website to enjoy a total of 15 months of warranty; or
- B. Extra 6 months warranty: follow "Origin Marketing Limited" on Facebook to enjoy a total of 18 months of warranty. (If you have already followed, no need to do it again.)

Service Centre

ORIGIN MARKETING LIMITED

Unit H, 21/F., Reason Group Tower (nearby 12 Wah Sing Street),
403 Castle Peak Road, Kwai Chung, N.T., Hong Kong.

www.origin.hk Email: info@origin.hk Tel: 2156 8238

www.origin.hk



Find us on



Instragarm

