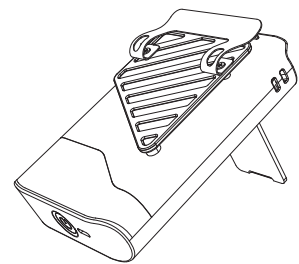


Batus

Rechargeable Fan Instruction Manual



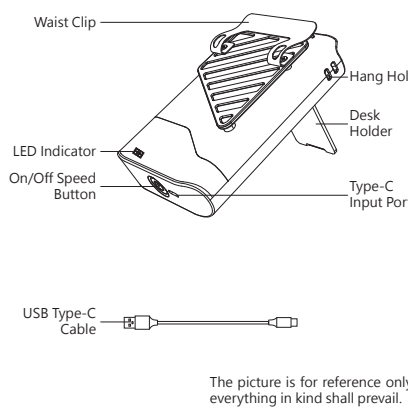
Model: HF506

Read all instructions before using the product. Keep this manual for future reference. This instruction manual is also available at www.origin.hk. In case of any discrepancies between this manual and the actual product—such as functions, drawings, photos, or data—the actual product shall prevail.

MODEL & SPECIFICATION

Product Name	Rechargeable Fan
Product Model	HF506
Input Voltage	DC5V 1.5A
Battery	Li-ion x 4000mAh
Speed	5 Speeds.
Charging Time	Approx. 4 Hours.
Operation Time	Approx. 8 Hours Max. (Depending on different settings)
Product Size	82(W) x 120(H) x 45(D)mm (Approx.)
Accessories	USB Type-C Cable, Neck Strap and User Manual

MAIN PARTS



ATTENTIONS

- This product is not intended for use by persons (including children) with reduced physical, sensory or mental capabilities, or lack of experience and knowledge, unless they have been given supervision or instruction concerning use of the product by a person responsible for their safety. Children should be supervised to ensure that they do not play with the product.
- This product contains a lithium battery, and it is for hidden to disassemble, hit, squeeze or throw it into fire. Do not place in a high temperature environment.
- Use this Fan only as described in this manual. Any other use not recommended by the manufacturer may cause fire, electrical shock or injury to persons.
- Open the package and ensure that the Fan is undamaged. In case of doubt, do not use the FAN and contact your supplier.
- Do not let children play parts of package.
- This Fan is driven by batteries. Please use the USB cable provided to fully charge the product before use.
- Do not take this Fan apart exposing electrical parts. Call customer service for assistance and guarantee information.
- Do not insert any objects into the Fan as it may cause an electric shock or damage. Do not block or tamper with the Fan in any manner while it is in operation.

- Do not leave the Fan unattended while using. Always switched off the Fan when not in use.
- The Fan is not intended for use in wet or damp locations. Never locate the Fan where it may fall into a bathtub or other water container.
- Do not place the Fan near a source of heat or fire.
- WARNING: To avoid danger of electric shock, unplug the USB cable and switched off the Fan when not in use and before cleaning. If the Fan is damaged, it must be replaced by the manufacturer, its service agent or similarly qualified persons in order to avoid hazard.

RECHARGE & BATTERY REMINDER

- Use only the supplied USB cable to charge the product.
- Use the corresponding charger according to the specification table.
- Do not charge while operating the product.
- To avoid overheat of rechargeable batteries, remove the USB cable after fully charged.
- Do not charge the product when the USB cable is tangle.
- When charging, make sure that the power is off.
- Never use deficient or loosen USB adapter. Make sure the USB charger and charging cable is dry before use and inserted firmly when use.

- Never use wireless charging.
 - Do not leave the appliance unattended while it is charging.
 - The adaptor and Fan will become hot while charging, which is normal. (Adaptor not included)
 - Do not put heavy objects on the charger cable, USB adaptor and appliance or let it touch any hot surface. Never clip, modify, stretch or twist the USB charger, USB charging cable and appliance.
 - Do not put any stress on the charging cable where it connects to the appliance, as the cable may fray and break.
 - Continuously using the appliance will raise the temperature of the battery pack, which is normal. Wait until the Fan cool down before recharging.
 - Do not short-circuit by allowing metals or other materials to come into contact with the socket terminals.
 - It is recommended to charge it every 3 months to avoid battery damage and affect product functions if the product is not working for a long time.
 - Charging and operation time vary with settings and environmental factors; actual results will vary.
 - The appliance contains batteries that are only replaced by skilled persons. The battery which is not self-replaceable by the user.
- When find the leaking batteries, stops use/charge the appliance immediately. Contact service centre for assistance.
 - If the appliance has severe swelling, please stop using it immediately and contact service centre for checking and repairing.
 - Do not mutilate or incinerate the battery packs, as they will explode at high temperatures. They must be disposed of according to local laws.
 - To avoid affecting the battery life, when the Fan stops automatically due to the exhausted battery during use, do not attempt to restart it or leave it alone to avoid over discharge.
 - Do not store the appliance anywhere outdoors or in any vehicle as excessive heat can cause the batteries to explode.
 - The rechargeable battery in this product is a consumable product. When the service time is still significantly shorter even after correct charging, the battery life may reach the end of its service life.
 - Take out the battery before disposal and take it to the official designated recycle bin. Do not stack it with general domestic waste to avoid polluting the environment.
 - It is classified as a class III appliance. Class III appliances must be supplied exclusively with Safety Extra Low Voltage (SELV), unless they are battery-operated and the battery is either a primary battery or a secondary battery charged outside the appliance.

- When the product is not working for a long time, please make sure it can storage under low humidity or room temperature in case of environment factors to the product function damage.
- Charge and store this appliance at approximately 5°C to 35°C.
- ⚠️ A specific separated power supply unit is required to connect this appliance to power supply.
- WARNING: For the purpose of recharging the battery, only use the USB charging cable that provided with this appliance.

This product contains recyclable materials. Do not dispose this product as unsorted municipal waste. Please contact your local municipality for the nearest collection.

DIRECTIONS FOR USE

- On/Off: Long press the on/off speed button, the Fan start at speed 1.
- Speed: Adjust the Fan speed to the desired level by pressing on/off speed button, the LED indicator will alternately display the wind speed and power level.
- Off: To turn the Fan off, Long press the on/off speed button.



MAINTENANCE & CARE

WARNING: ALWAYS UNPLUG THE USB CABLE BEFORE MOVING OR SERVICING. DO NOT IMMERSE THE FAN IN WATER! BEFORE CLEANING, MAKE SURE THAT THE UNIT HAS BEEN SWITCHED OFF.

Housing: Clean the outside of the Fan with a soft cloth, to remove persistent dirt or grime wipe down with a cloth that has been dampened with warm soapy water.



The picture is for reference only, everything in kind shall prevail.

CAUTION: Do NOT use gasoline, benzene, thinner, harsh cleaners, etc., as they will damage the Fan. NEVER use ALCOHOL or any other SOLVENTS.

STORAGE: Store the Fan with these instructions in the original box in a cool and dry place.

TROUBLE SHOOTING

Symptom	Reason	Solution
The product does not work	Type-c port is not inserted	Insert the Type-C port
	On/Off speed button is not turned on	Turn on the On/Off speed button
Abnormal Noise	Abnormal power supply	Recommended to use DC5V 1.5A
	Fan crack	Need to repair
	Motor damage	Need to repair

WARRANTY

This product is guaranteed for 1 year (commercial use for 3 months) from the date of receipt against manufacturing defect. The warranty does not cover the housing, USB Type-C cable, neck strap and other accessories, damage or defect caused by negligence or use not according to this instruction manual.

Extended Warranty: (Complete following procedure within 10 days from the date of purchase. Extended warranty does not apply to commercial use)

A. Extra 3 months warranty: complete Online Warranty Registration on our website to enjoy a total of 15 months of warranty; or

B. Extra 6 months warranty: follow " Origin Marketing Limited" on Facebook to enjoy a total of 18 months of warranty. (If you have already followed, no need to do it again.)

Remark: For any repair service, please contact and bring with the invoice or receipt to the Service Centre.

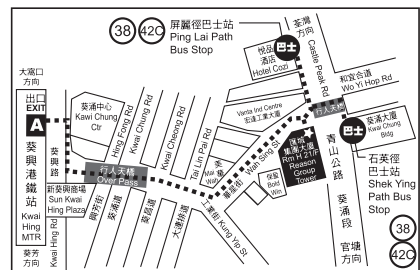
SERVICE CENTRE

ORIGIN MARKETING LIMITED
Unit H.21/F, Reason Group Tower (nearby 12 Wah Sing Street), 403 Castle Peak Road, Kwai Chung, N.T., Hong Kong.
www.origin.hk Email: info@origin.hk
Tel: (852) 2156 8238

Office Hours
10:30am - 12:30pm (Mon ~ Fri)
02:30pm - 05:30pm (Mon ~ Fri)
10:30am - 12:30pm (Sat)
(Closed on Sunday and Holiday)

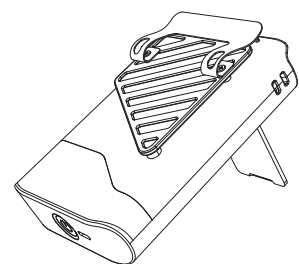


Origin Map



Batus

充電風扇 使用說明書



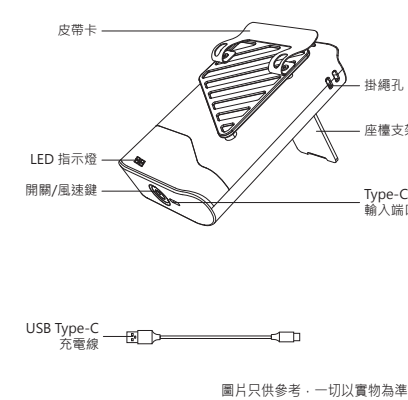
產品型號: HF506

使用產品前，請先細閱本使用說明書，並請妥善保存以便將來翻閱。本說明書及其修正版本（如有）可於本公司網站www.origin.hk下載。本說明書所載的功能、外觀、圖片及數據皆以實物為準。

型號及規格

名稱	充電風扇
型號	HF506
輸入電壓	DC5V 1.5A
電池	Li-ion x 4000mAh
風速	5段風速
充電時間	約4小時
使用時間	約8小時(根據不同設定)
產品尺寸	約82(W) x 120(H) x 45(D)mm
配件	USB Type-C 充電線、頸帶及說明書

各部名稱



重要安全提示

- 本機不是為體質、感覺或智力有障礙人士(包括小孩)或缺乏經驗及知識者使用，除非他們曾經接受負責安全人士的監督或指示，大人應指導小孩不可把玩電器。
- 本產品內有鋰電池，禁止拆解、撞擊、擠壓或投入火中。請勿置於高溫環境。
- 必須按照使用說明書指示操作本風扇，否則可能引致產品損壞、短路、火警或人命損傷。
- 打開包裝，檢查風扇。如發現產品有損壞，請勿使用及即時聯絡供應商。
- 包裝物料並非玩具，不可讓小孩玩耍。
- 本產品內置充電電池，請使用本產品提供的USB充電線替產品進行完全充電。
- 不可擅自拆卸、修理、改造本產品，如有任何問題請先致電客戶服務中心。
- 切勿將任何異物放入風扇內；或阻擋風扇出口及入風口，皆因以上一切行為均可導致風扇損壞。
- 非使用風扇時請關掉風扇。

- 不可在潮濕或有積水的環境使用，不可將風扇擺放於浴缸或大型容器上面。
- 切勿將風扇擺放在發熱源頭或火源附近。
- 警告：清理前必須先拔掉USB充電線及關掉風扇。若風扇損壞，必須交由製造商或其代理指定維修服務中心檢查及修理。

充電及電池使用安全提示

- 必須使用本機附配的USB線為本機充電。
- 依規格表列使用相應的充電器。
- 為避免過熱和損壞裝置或電池，切勿在充電時使用本機。
- 充滿電後，必須拔除充電線，長時間充電，可能造成充電電池過熱及燃燒等危險。
- 切勿在USB充電線纏繞的情況下為產品充電。
- 充電前，須確保產品的電源已關閉。
- 切勿使用有殘缺或鬆動的USB充電器。使用前確保USB充電器及充電線已充分抹乾及使用時插穩。
- 切勿使用無線充電。
- 充電期間，切勿離開本產品。
- 充電進行中，充電器及風扇會變熱，此乃正常現象。(充電器不包括在內)

- 切勿在USB充電器、充電線及產品上放重物或讓其接觸灼熱的表面；切勿夾住、改裝、用力拉扯或扭曲USB充電器、充電線及產品。
- 切勿在連接產品的充電線上施加任何壓力，充電線可能因此造成磨損和斷裂。
- 注意：持續使用本產品會使電池溫度升高，此乃正常現象，須待風扇冷卻後再充電。
- 請勿用金屬等接觸連接器而使其短路器。
- 如本產品長期不使用時，建議每三個月充電一次，避免電池損壞導致產品不能使用。
- 充電及使用時間視乎設定和環境因素而定；實際結果可能有所差異。
- 本產品包含只能由技術人員更換的電池，客戶不可自行更換。
- 當發現電池漏液時，應立即停止使用產品及切勿充電，並聯絡服務中心進行檢查及維修。
- 若本產品出現嚴重膨脹，請立即停止使用，並聯絡服務中心安排檢查及維修。
- 切勿毀壞或焚燒電池組，因為它們在高溫下會爆炸。它們必須根據當地法律進行處置。

- 為避免影響電池壽命，使用時因電量耗盡而自動停止時，請勿嘗試再次啟動，也請勿放置不管，以免電池過度放電。
- 切勿將產品存放在室外或任何車輛中，因過熱會導致電池爆炸。
- 本產品中的充電電池為消耗品，當即使正確充電後，使用時間仍明顯變短，電池壽命可能到了。
- 本產品廢棄時請取出電池，並交給官方指定回收站，切勿與一般生活垃圾堆放在一起，以免污染環境。
- 它被分類為第 III 類電器。III 類電器必須僅使用安全特低電壓 (SELV) 供電，除非它們是電池供電的，且電池是一次性電池或在電器外部充電的二次電池。除非它們是電池供電的，並且電池是一次性電池或在設備外部充電的二次電池。
- 產品長期不使用時，請在常溫低濕度的環境下儲存，以免不良的環境導致產品功能損壞。
- 在大約5°C至35°C的溫度下充電和儲存本產品。
- ⚠️ 此產品需要一個特定的獨立電源單元將本產品連接到電源。

- 注意：為了給電池充電，只能使用本產品隨附的充電線。

⚠️ 本產品含有可回收材料，不可把本產品作為未分類廢物。請聯繫當地就近指定回收點。

使用方法

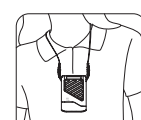
- 開/關：長按開關/風速鍵，風扇以第1檔啟動。
- 風速：按開關/風速鍵，設定所需風速，LED指示燈將會交替顯示風速及電量。
- 關機：如需關機，長按開關/風速鍵。



座枱



皮帶夾



掛頸

圖片只供參考，一切以實物為準。

清理及維護

警告：切勿將風扇浸於水或其他液體中。在清潔本風扇前，先將風扇關掉及把USB充電線拔除。外殼：清理時切勿將風扇浸於水或其他液體中。使用濕潤軟布抹擦清潔，頑固污垢可用軟布沾上含肥皂的溫水抹擦。



圖片只供參考，一切以實物為準。

注意：切勿使用含有腐蝕性的清潔劑或溶液清理風扇。儲存：連同使用說明書，把風扇存放在清涼及乾爽的地方。

故障排除

故障	原因	解決方法
產品無法運作	Type-C連接埠未插入	插入Type-C連接埠
	開關/風速鍵沒有開啟	開啟開關/風速鍵
異常噪音	電源異常	建議使用DC5V 1.5A電源
	風輪破裂 電機損壞	需要到代理維修 需要到代理維修

保用

本產品可獲自購買日起1年免費保用(商業用途享有3個月免費保用)此保用只包含生產所導致的品質問題；並不包括機身外殼、USB Type-C充電線、頸帶及其他配件，因誤用或不依說明書指示使用而導致的損壞。

升級保用：(須於購買本產品後10天內完成以下步驟；升級保用不適用於商業用途)

A. 額外3個月保用：於本公司網站完成登記，可享共有15個月免費保用；或

B. 額外6個月保用：到訪並“追蹤”本公司 (Origin Marketing Limited)的Facebook，即可享有共18個月免費保用。(如果已追蹤，則自動享有此升級保用，毋須再進行上述步驟)。

注意：保用時，須帶同收據及請先致電服務中心。

服務中心

源澤事務有限公司
香港新界葵涌青山公路403號
匯城集團大廈21樓H室(近華星街12號)
www.origin.hk 電郵: info@origin.hk
電話: (852) 2156 8238

辦公時間
上午10:30 - 下午12:30 (星期一至五)
下午02:30 - 下午05:30 (星期一至五)
上午10:30 - 下午12:30 (星期六)
(星期日及公眾假期休息)



源澤地圖

